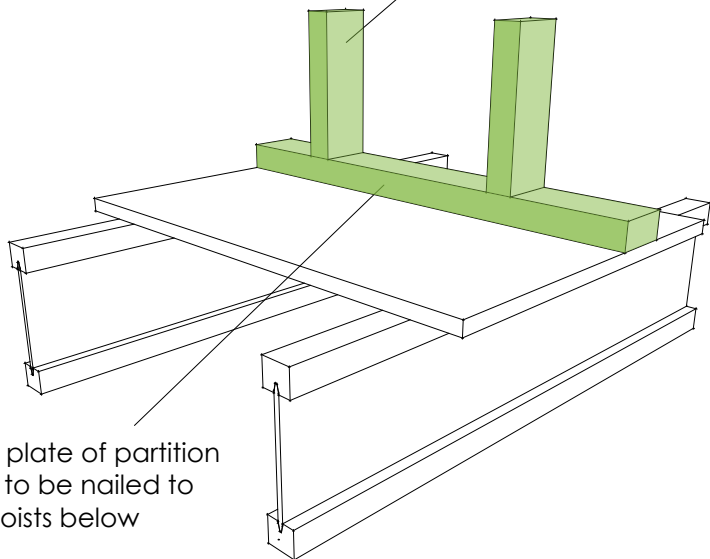


Non load bearing wall across joists

The designer is responsible for ensuring the i-joist design is adequate to support the wall

Non load bearing wall max 0.8kN/m



Sole plate of partition wall to be nailed to the joists below