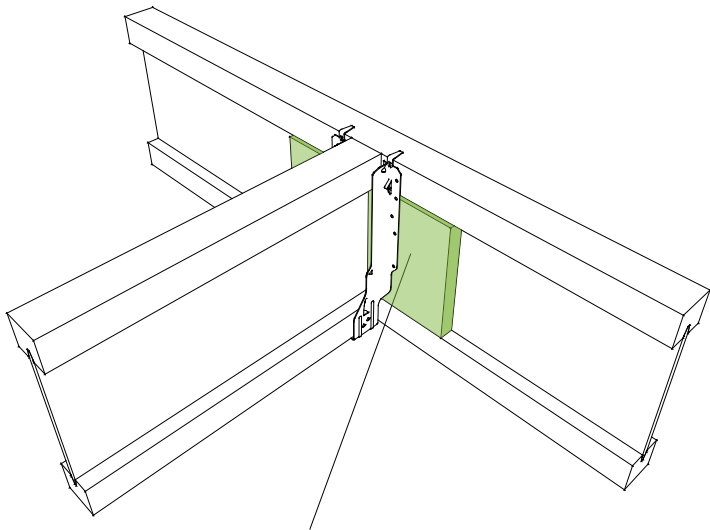


G4b

STEICOjoist to STEICOjoist connection

Backer blocks to be fitted as detail G7.

Joist hanger installed in line with manufacturers guidance.



Backer blocks required.