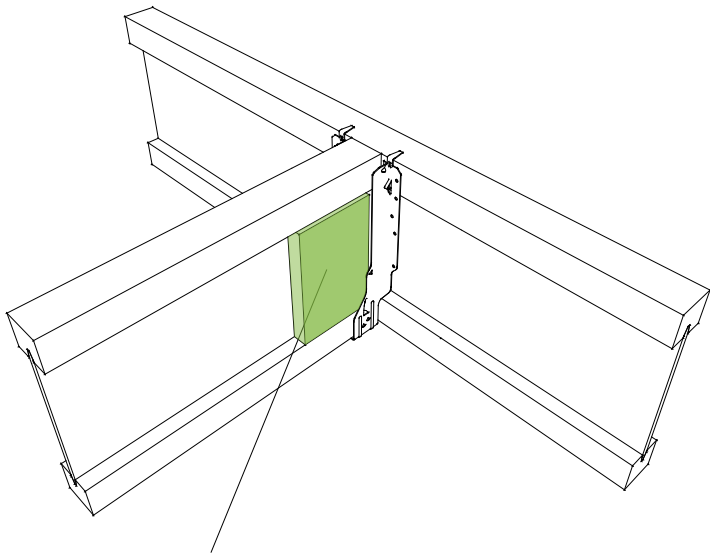


G4c

STEICO*joist* to STEICO*joist* connection

Web Stiffeners to be fitted as detail G6.

Joist hanger installed in line with manufacturers guidance.



Web stiffeners required.