

# N1

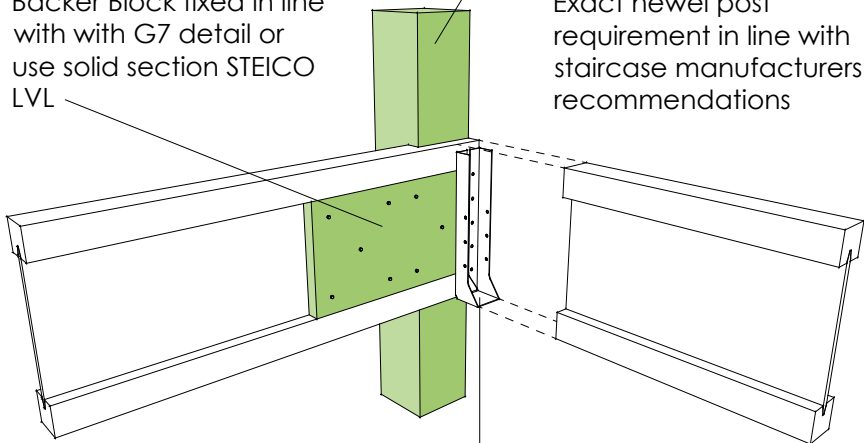
## Newel Post connection

Notched Newel Post

Backer Block fixed in line with with G7 detail or use solid section STEICO LVL

Detail based on minimum Newel post size of 75mm x 75mm.

Exact newel post requirement in line with staircase manufacturers recommendations



Simpson StrongTie or Cullen ITW concealed flange face fix joist hanger