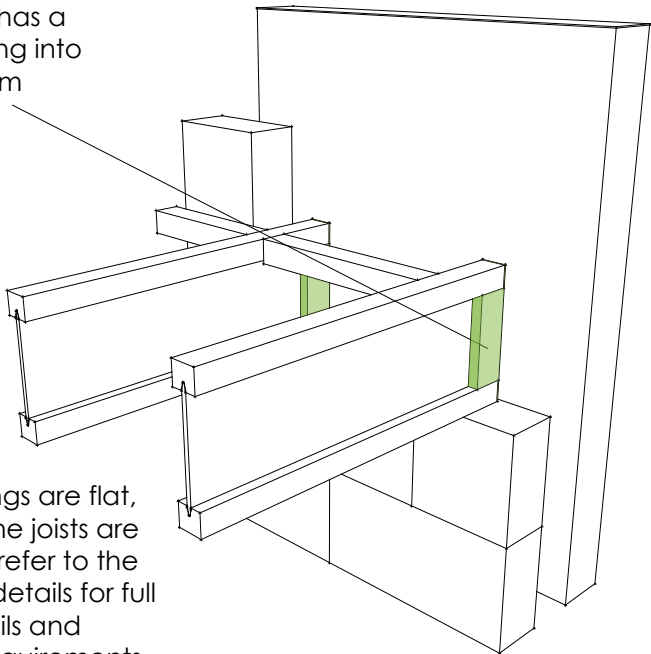


## Bearing into blockwork cavity wall using Simpson End Seal

When bearing into cavity wall ensure that the STEICOjoist has a minimum bearing into the wall of 90mm



Ensure all bearings are flat, level and that the joists are vertical. Please refer to the manufacturers details for full installation details and restraint strap requirements