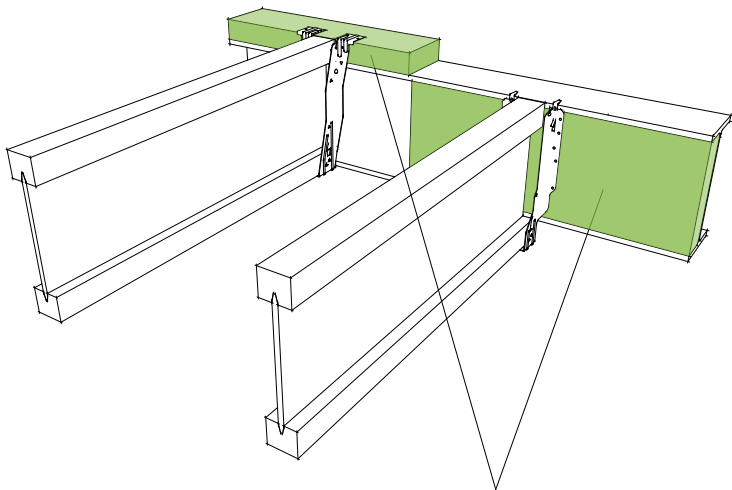


M5c

## Steel beam no masonry above

Timber hangers to face  
of timber packer in  
Steel or on top  
mounted timber plate



Timber packers and plates to Steel  
beam designers specification