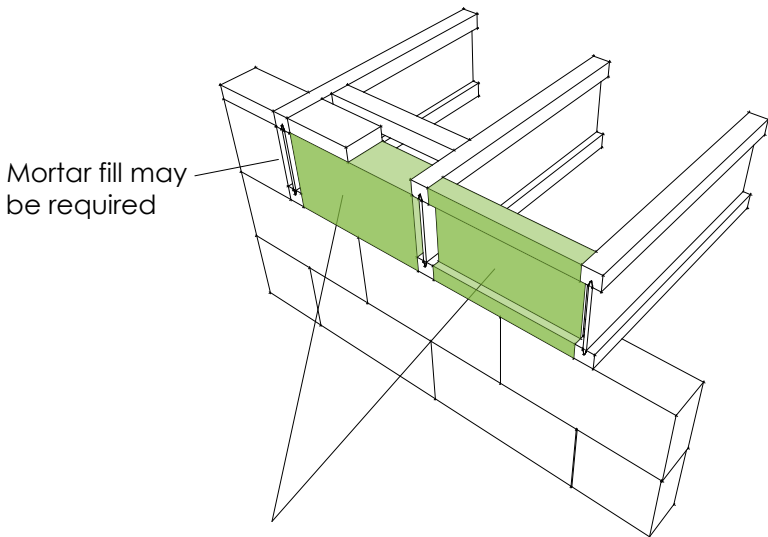


## Joists ending on internal wall

Minimum 38\*38 perimeter noggin skew nailed or fixed to joist using proprietary clip. Noggin to be fixed 25-75mm from face of wall.



Blockwork may be built up around i-joists or blocking pieces used to restrain the end of the joists