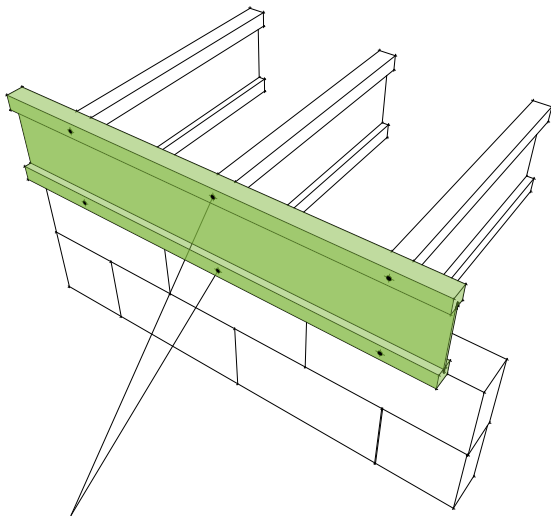


M7a

Joists bearing on internal wall

Where joists end on internal load bearing walls the lateral stability to the joists can be provided via a mechanical fix to a STEICOjoist running perpendicular in the adjoining joist zone.



1 No 3.75 nail per flange. Nail length to ensure minimum 35mm embedment depth.