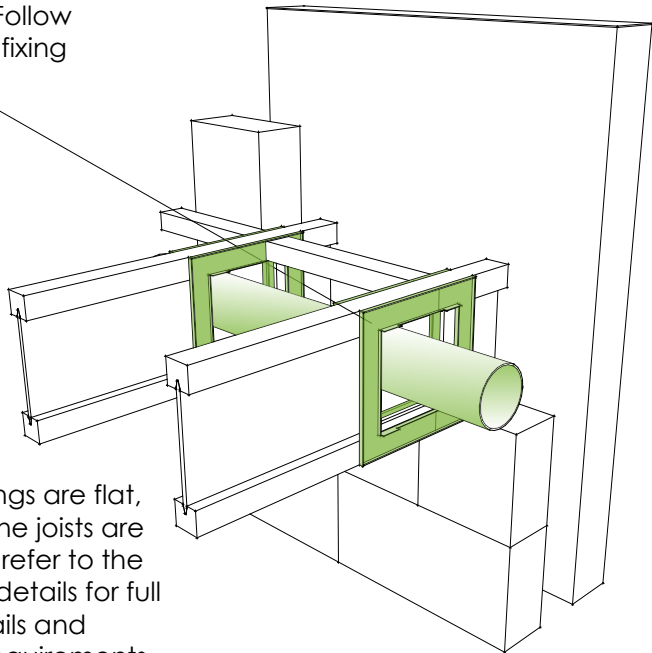


Hole reinforcement at bearing

Use Simpson IHS or Cullen SHI both sides of STEICOjoist. Follow manufacturers fixing instructions



Ensure all bearings are flat, level and that the joists are vertical. Please refer to the manufacturers details for full installation details and restraint strap requirements