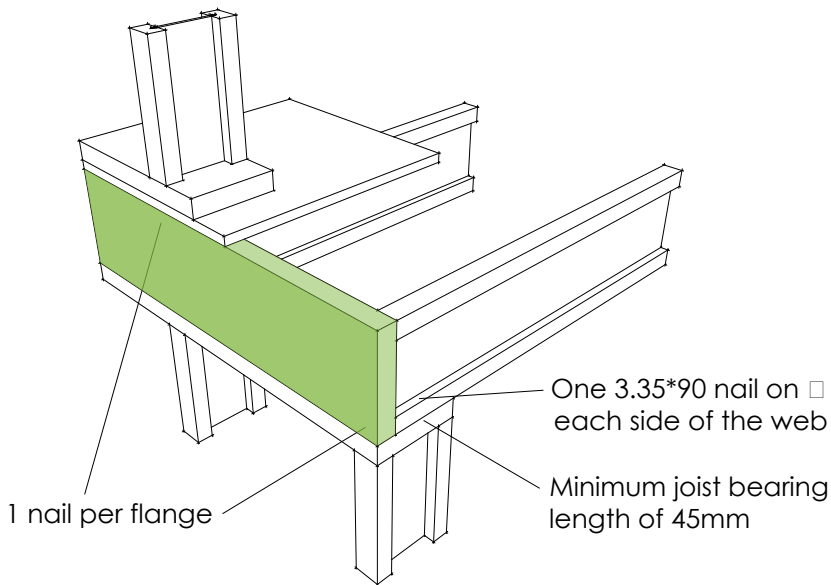


TF1

STEICO LVL Rim Board



Minimum nailing for class 1 structures to be 3.00*75 nails at 300mm centers which should be applied at each interface where lateral loads are to be transferred. Refer to STA "Design Guidance on Disproportionate Collapse" for further information