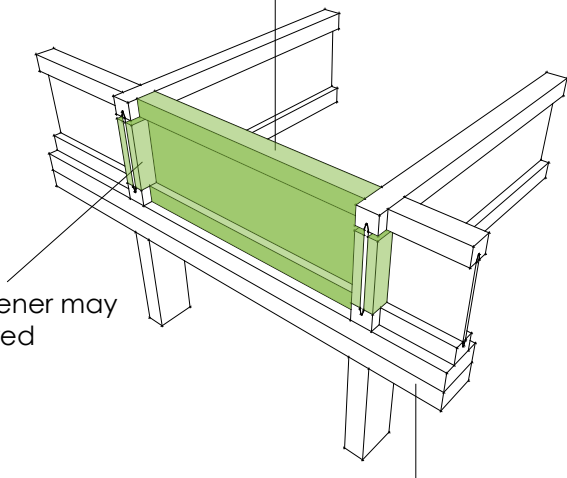


Joists ending on internal wall

Blocking from STEICO joist or
STEICO LVL according to
transferred loads

Web stiffener may
be required



Load bearing internal wall