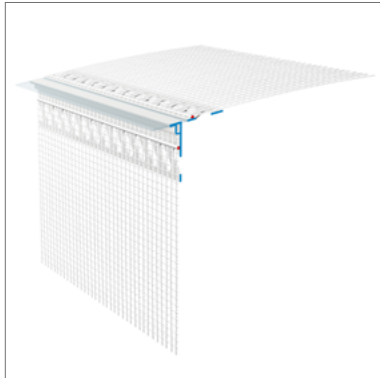


STEICO *secure* Abschlussprofil FB



- Plastic profile with plaster finishing edge and double-sided reinforcing mesh and transparent drip edge
- For use in the STEICO*sill Mineral* sealing system
- Integrated drip edge ensures reliable water drainage

Application area



For horizontal plaster connections, in ETICS
Component of the STEICO*sill Mineral* sealing system

Technical data

Colour	white, transparent
Material	plastic
Fabric material	Glass fibre fabric

Forms of delivery

Delivery in handy boxes

Colour shade	Length [mm]	Number/pack. [pcs.]	Metres/pack. [m]
white	1350	15	20,25

Notes

Storage

- Dry, protect from UV radiation and moisture

Disposal

- dispose with normal construction waste, observe applicable legal guidelines

Machining

- With overlay shears or other tools suitable for cutting plastic

Occupational health and safety

- Observe the safety data sheet
- Wear safety goggles and work gloves when cutting to size

STEICO*secure* Abschlussprofil FB

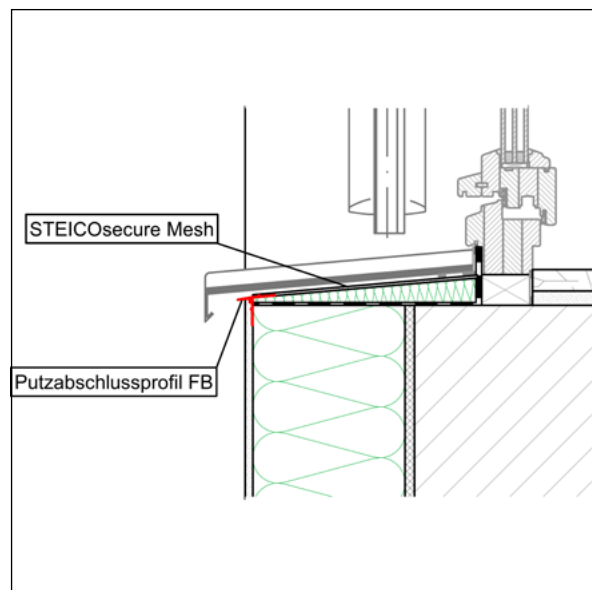
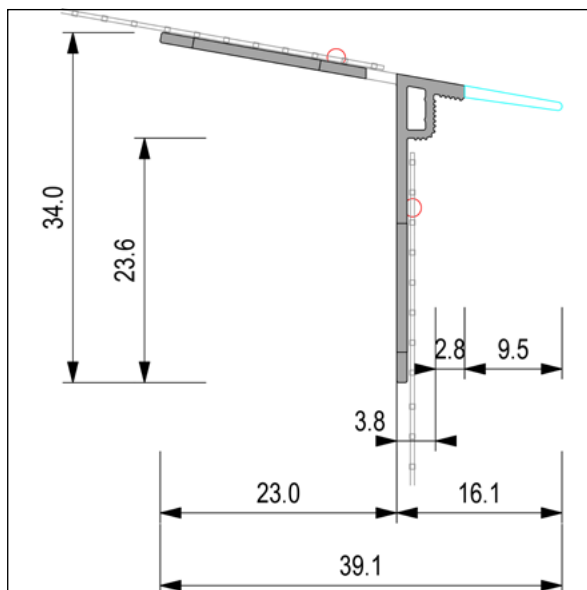
Installation

Substrate

- Stable, even, dry substrate - free of substances that could impair adhesion (e.g. grease, dirt)
- Unsafe substrates must be tested for load-bearing capacity and suitability for subsequent coatings. Create a test surface and check adhesion
- Pre-fill any unevenness in the substrate

Setting the profile

- Cut end profile to finished size
 - Pre-apply combination mortar to insulating material
 - Position the end profile horizontally, flush with the edge and aligned and, if necessary, fix it in the insulation material with plastic nails or plug-in connectors.
 - Fill the support leg with mortar and, if necessary, install additional fabric
 - Overlap the mesh with reinforcing mortar on the insulation surface
 - Apply mortar over the entire surface and level off at the profile edge
 - Remove the protective film from the transparent drip edge after finishing the plastering work
- This document is based on the German technical data sheet and is intended for general information purposes in an international context. National regulations and building codes must be additionally observed.



Certificates and quality management



STEICO *secure* Abschlussprofil FB

☰ Caption

other abbreviations

pal. Pallet

T&G Tongue and Groove

pac. Packaging

approx. Approximately

pcs. pieces