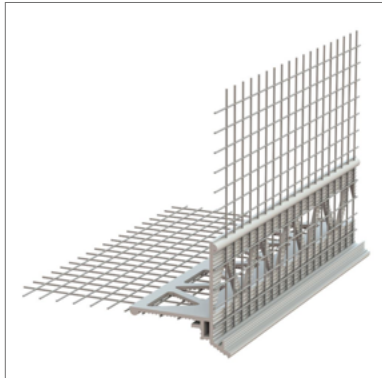


STEICO*secure* Tropfkantenprofil TR30



- Plastic profile for forming drip edges (6 mm) with integrated glass fibre mesh for the STEICO*secure* ETICS
- Precise plaster border
- Targeted water drainage

Application area



- Formation of drip edges as a finish or for recesses in the façade, e.g. lintel reveal window element

Technical data

Colour	White
Material	Plastic
Fabric material	Glass fibre mesh

Forms of delivery

Delivery in handy boxes

Colour shade	Length [mm]	Number/pack. [pcs.]	Metres/pack. [m]
White	2400	25	60

Notes

Storage

- Dry, protect from UV radiation and moisture

Disposal

- With overlay shears or other tools suitable for cutting plastic

Machining

- With overlay shears or other suitable cutting tools for plastic processing

Occupational health and safety

- Observe the safety data sheet
- Wear safety goggles and work gloves when cutting to size

STEICO*secure* Tropfkantenprofil TR30

Installation

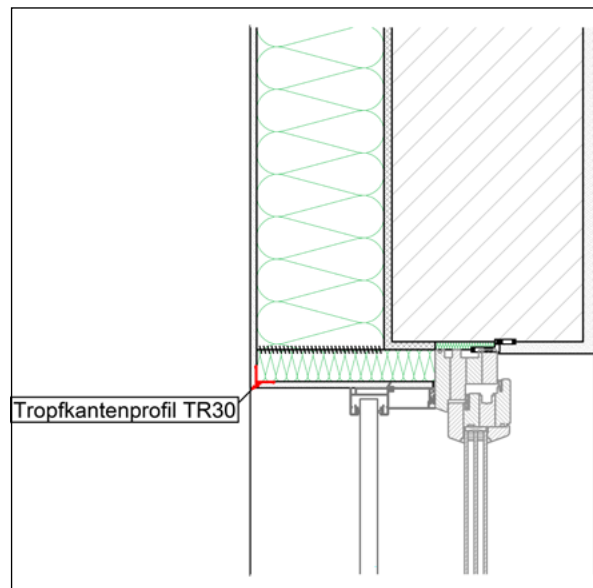
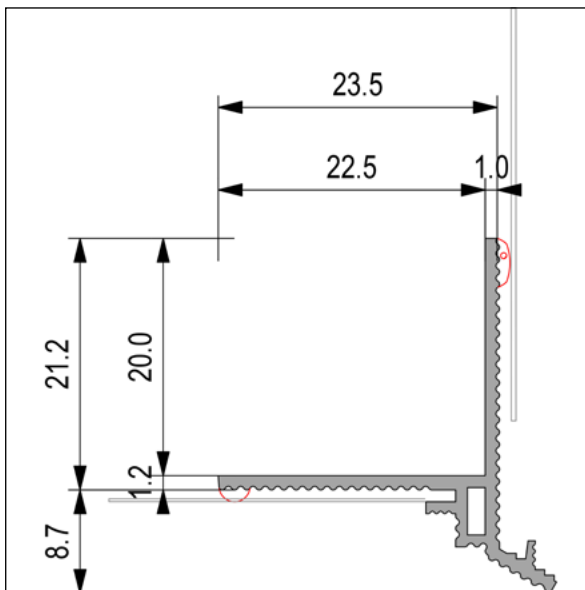
- This document is based on the German technical data sheet and is intended for general information purposes in an international context. National regulations and building codes must be additionally observed.

Substrate

- All substrates must be clean, dry, stable and free of separating substances
- The insulation boards must be laid evenly, without recesses
- The insulation adhesive must be appropriately cured

Setting the drip edge profile

- Cut the drip edge profile to the finished size
- Position the drip edge profile flush with the edge and aligned in the prepared reinforcement mortar and, if necessary, fix in the insulation material with plastic nails or plug connectors
- Insert the mesh flag into the reinforcing plaster and fill in
- Fill in the reinforcement layer overlapping up to the edge of the plaster
- Apply top coat of plaster and remove at the profile edge
- Individual profiles can be joined together at the same level using connectors



Certificates and quality management



STEICO *secure* Tropfkantenprofil TR30

☰ Caption

other abbreviations

pal. Pallet

T&G Tongue and Groove

pac. Packaging

approx. Approximately

pcs. pieces